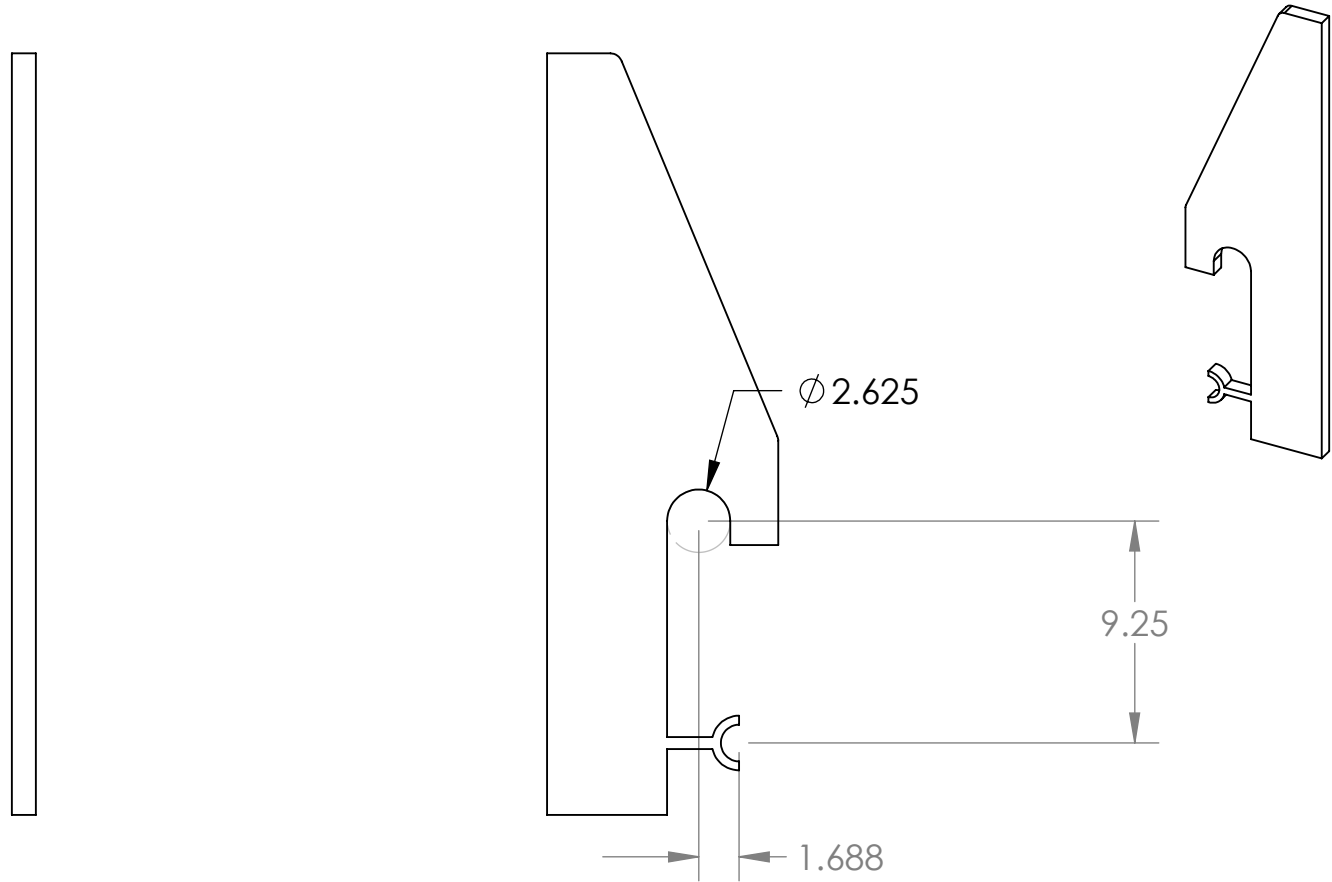


REVISIONS		DATE	APPROVED
ZONE	REV.	DESCRIPTION	



**PROPRIETARY AND CONFIDENTIAL**  
 THE INFORMATION CONTAINED IN THIS DRAWING IS THE SOLE PROPERTY OF KANAMAK HYDRAULICS, INC. ANY REPRODUCTION IN PART OR AS A WHOLE WITHOUT THE WRITTEN PERMISSION OF KANAMAK HYDRAULICS, INC. IS PROHIBITED.

UNLESS OTHERWISE SPECIFIED:		NAME	DATE
DIMENSIONS ARE IN INCHES		DRAWN	RM 8/11/2016
TOLERANCES:		CHECKED	
FRACTIONAL ±		ENG APPR.	
ANGULAR: MACH ± BEND ±		QUANTITY:	
TWO PLACE DECIMAL ±		COMMENTS:	
THREE PLACE DECIMAL ±			
INTERPRET GEOMETRIC TOLERANCING PER:		1" STEEL	
MATERIAL			
HRF			
FINISH			
NEXT ASSY	USED ON		
APPLICATION		DO NOT SCALE DRAWING	

<b>KANAMAK HYDRAULICS INC</b>		
TITLE:		
<b>Forklift Attachment Bracket</b>		
SIZE	DWG. NO.	REV
<b>A</b>	51030-102	
SCALE: 1:8	Weight 55.85 lb	SHEET 1 OF 1